



DIAMOND
CHASE



RCX

Roller Chase Frame Price List

September, 2021

Eino Products / Diamond Chase
418 South Motor Avenue, Azusa, CA 91702
ph (626) 969-1821 fax (626) 969-1599



DIAMOND
CHASE



The All **NEW** Roller Chase Construction

Diamond Chase / Eino Products team has re-designed the Roller Chase Screen Printing frame as the RcX for 2006. This high quality roller frame features an all metal construction with stronger components compared to past roller frames. Our Top Loading double rod locking system captures the fabric quickly and consistently with the use of a wheel type insertion tool. Other features include molded internal threads sealed within the polished endlug preventing the possibility of water retention within the roller caused by the hardware. **NO O-Ring Required.** The corners strength and appearance have been improved with a high quality aluminum die cast and a secondary polishing process. Improved strength and appearance again make the Roller Chase frame the best frame in the industry.

Configurations

The RcX comes in three different models based on the roller diameter for the various frame sizes and tensioning requirements. Two models are available with one side a square tube.

The RcX 1.4 is approximately 1 7/16" in diameter and is primarily used for manual textile and small format printing. Available with a Square Tube for back clamp presses.

The RcX 1.6 is 1 5/8" in diameter and is used for automatic textile printing at high tension levels and general printing applications. Available with a Square Tube for back clamp presses.

The RcX 2.0 is 2" in diameter and is preferred for oversized textile printing and general printing applications with frames up to 60".

The RCLF large format frames have three models for frames between 5 and 20 feet in length and are still manufactured with the welded end plug and roller support system as before.

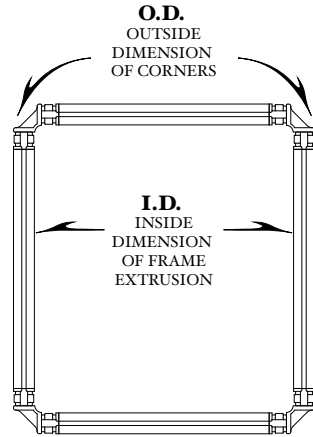
Eino Product / Diamond Chase

800/245-5283

418 South Motor Avenue Azusa, CA 91702 ph. 626/969-1821 fax 626/969-1599

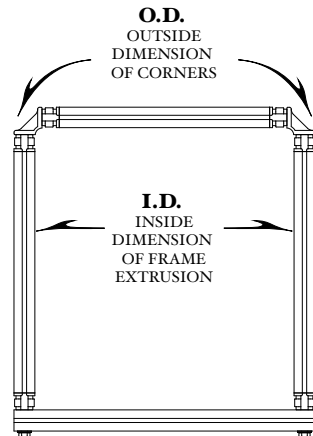


DIAMOND
CHASE



All Roller

RcX frames manufactured with all four rollers tension the fabric more evenly throughout the image area. These frames are held into the press on two opposing rollers with u-shaped adaptor blocks.



Square Tube

RcX frames with one short roller and opposing square tube are designed for single point back clamp presses. The square tube clamps easily into the press while keeping it secure. Tensioning is not as even as a frame with all four rollers.



Eino Products / Diamond Chase

800/245-5283

418 South Motor Avenue Azusa, CA 91702 ph. 626/969-1821 fax 626/969-1599

CUSTOM ROLLER FRAME PRICE LIST

SEPTEMBER, 2021

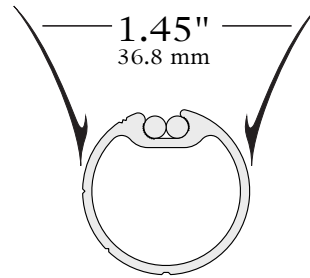
RCX 1.4

Max Size: 31"

Diameter: 1.45"

Weight per Ft: .85 Lbs

ID to OD Conv: 3"



Total Frame O.D. Inches

| | | | | | | | | | |
|------------|------------|------------|------------|------------|------------|------------|------------------------------|------------|------------|
| 60 | 62 | 64 | 66 | 68 | 70 | 72 | 74 | 76 | 78 |
| \$ 111.60 | 112.30 | 113.00 | 113.70 | 114.40 | 115.10 | 115.80 | 116.50 | 117.25 | 117.95 |
| 80 | 82 | 84 | 86 | 88 | 90 | 92 | 94 | 96 | 98 |
| 118.65 | 119.35 | 120.00 | 120.75 | 121.50 | 122.15 | 122.85 | 123.60 | 124.30 | 125.00 |
| 100 | 102 | 104 | 106 | 108 | 110 | 112 | 114 | 116 | 118 |
| 125.70 | 126.40 | 127.10 | 127.80 | 128.50 | 129.20 | 129.95 | 130.65 | 131.35 | 132.00 |
| 120 | 122 | 124 | 126 | 128 | 130 | 132 | Frames Over 132" O.D. | | |
| 132.75 | 133.45 | 134.15 | 134.85 | 135.60 | 136.30 | 137.00 | \$ 1.05 per O.D. Inch | | |

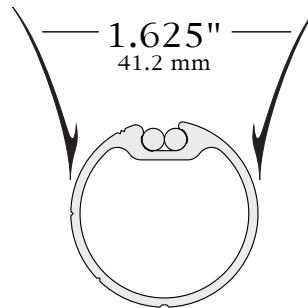
RCX 1.6

Max Size: 42"

Diameter: 1.625"

Weight per Ft: .98 Lbs

ID to OD Conv: 3.25"



Total Frame O.D. Inches

| | | | | | | | | | |
|------------|------------|------------|------------|------------|------------|------------|------------------------------|------------|------------|
| 96 | 98 | 100 | 102 | 104 | 106 | 108 | 110 | 112 | 114 |
| \$ 160.15 | 160.90 | 161.70 | 162.50 | 163.30 | 164.10 | 164.85 | 165.65 | 166.40 | 167.20 |
| 116 | 118 | 120 | 122 | 124 | 126 | 128 | 130 | 132 | 134 |
| 168.00 | 168.80 | 169.60 | 170.35 | 171.15 | 171.95 | 172.70 | 173.50 | 174.30 | 175.10 |
| 136 | 138 | 140 | 142 | 144 | 146 | 148 | 150 | 152 | 154 |
| 175.85 | 176.65 | 177.45 | 178.20 | 179.00 | 179.80 | 180.60 | 181.35 | 182.15 | 182.95 |
| 156 | 158 | 160 | 162 | 164 | 166 | 168 | Frames Over 168" O.D. | | |
| 183.75 | 184.50 | 185.30 | 186.10 | 186.90 | 187.70 | 188.45 | \$ 1.15 per O.D. Inch | | |



Diamond Chase / Eino
(800) 245-5283
(626) 969-1599 fax

418 South Motor Ave.
Azusa, CA 91702

Prices Subject to Change Without Notice



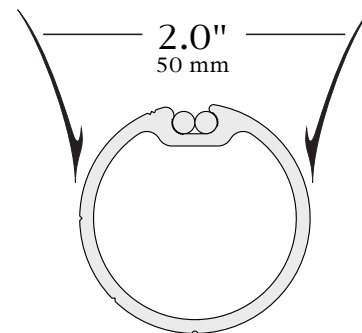
CUSTOM ROLLER FRAME

PRICE LIST

SEPTEMBER, 2021

RCX 2.0

Max Size: 60"
Diameter: 2.0"
Weight per Ft: 1.25 Lbs
ID to OD Conv: 4"



Total Frame O.D. Inches

| | | | | | | | | | |
|------------|------------|------------|------------|------------|------------|------------|------------------------------|------------|------------|
| 140 | 142 | 144 | 146 | 148 | 150 | 152 | 154 | 156 | 158 |
| \$249.70 | 251.10 | 252.45 | 253.85 | 255.20 | 256.60 | 257.95 | 259.35 | 260.70 | 262.10 |
| 160 | 162 | 164 | 166 | 168 | 170 | 172 | 174 | 176 | 178 |
| 263.45 | 264.85 | 266.20 | 267.60 | 268.95 | 270.35 | 271.70 | 273.10 | 274.45 | 275.85 |
| 180 | 182 | 184 | 186 | 188 | 190 | 192 | 194 | 196 | 198 |
| 277.20 | 278.60 | 279.95 | 281.35 | 282.70 | 384.10 | 285.45 | 268.85 | 288.20 | 289.60 |
| 200 | 202 | 204 | 206 | 208 | 210 | 212 | Frames Over 212" O.D. | | |
| 290.95 | 292.35 | 293.70 | 295.10 | 296.45 | 297.85 | 299.20 | \$ 1.40 per O.D. Inch | | |



Adaptor Blocks & Bars

| Model | 1.2" | 1.4" | 1.6" | 1.75" | 2.0" |
|-----------|----------|----------|----------|----------|----------|
| Blocks 3" | \$ 9.90 | \$ 9.90 | \$ 12.65 | \$ 12.65 | \$ 13.75 |
| Bars 16" | \$ 19.80 | \$ 19.80 | \$ 25.30 | \$ 25.30 | \$ 27.50 |



Tools

| | |
|------------------------|-----------|
| 1.4/1.6 Tension Wrench | \$ 188.00 |
| 2.0 Tension Wrench | 203.50 |
| Wheel Insertion Tool | 30.00 |



Locking Rods

Cut to Length:

| | |
|----------------------------|-----------------|
| Round (White - High Mesh) | \$.20 per Inch |
| Round (Blue - Medium Mesh) | \$.20 per Inch |
| Round (Black - Low Mesh) | \$.20 per Inch |

Full Lengths (approx. 15 feet long) \$27.00 each

Prices Subject to Change Without Notice

Diamond Chase / Eino
(800) 245-5283
(626) 969-1599 fax

418 South Motor Ave.
Azusa, CA 91702

The RCLF Roller Chase



Large Format Roller Frame Construction

The Large Format Roller Chase combines our roller system with an additional sectional support frame. The support structure is a fully welded frame with cast gusseted corners. Within the channel of the support frame are two plastic rods acting as a bearing surface for the roller as it rotates. Additionally, the main support frame fully encloses the tensioning roller preventing fabric damage due to the awkward handling associated with large format printing.

Configurations

The Large Format Roller Chase frames are produced with three different roller diameters with an associated support frame. Additional support can be added to the main support frame to further strengthen the system for large frames and/or high tension levels. Frames manufactured with only the main support structure are known as model A. Frames including an additional out side support are a B model.



Diamond Chase / Eino
(800) 245-5283
(626) 969-1599 fax

418 South Motor Ave.
Azusa, CA 91702

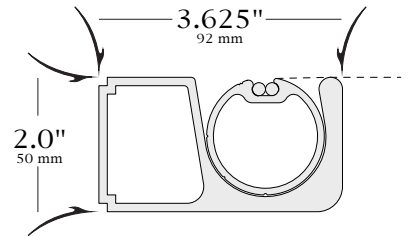
Prices Subject to Change Without Notice

ROLLER CHASE CUSTOM FRAME PRICE LIST

SEPTEMBER, 2021

RCLF 1.75 A

Max Size: 120"
 Diameter: 1.75"
 Weight per Ft: 2.5 Lbs
 ID to OD Conv: 7.25"



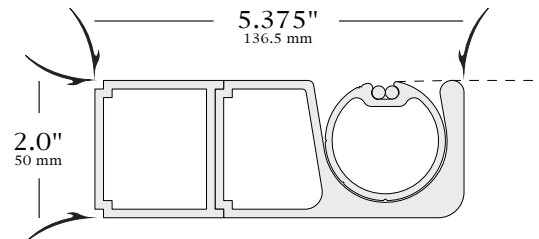
Total Frame O.D. Inches

| | | | | | | | | | |
|------------|------------|------------|------------|------------|------------|------------|------------------------------|------------|------------|
| 220 | 226 | 232 | 238 | 244 | 250 | 256 | 262 | 268 | 274 |
| \$ 958.90 | 970.50 | 982.00 | 993.60 | 1005.00 | 1016.70 | 1028.25 | 1039.75 | 1051.35 | 1064.00 |
| 280 | 286 | 292 | 298 | 304 | 310 | 316 | 322 | 328 | 334 |
| 1075.50 | 1087.10 | 1098.65 | 1110.20 | 1121.75 | 1133.30 | 1144.85 | 1156.40 | 1167.90 | 1179.50 |
| 340 | 346 | 352 | 358 | 364 | 370 | 376 | 382 | 388 | 394 |
| 1191.00 | 1202.60 | 1214.15 | 1225.70 | 1237.25 | 1248.75 | 1260.35 | 1271.90 | 1283.45 | 1295.00 |
| 400 | 406 | 412 | 418 | 424 | 430 | 436 | Frames Over 436" O.D. | | |
| 1306.50 | 1318.10 | 1329.65 | 1341.20 | 1352.75 | 1364.30 | 1375.85 | \$ 3.15 per O.D. Inch | | |

1 to 5 List Price 6 to 9 Less 5% 10 or more Less 10%

RCLF 1.75 B

Max Size: 144"
 Diameter: 1.75"
 Weight per Ft: 3.4 Lbs
 ID to OD Conv: 10.75"



Total Frame O.D. Inches

| | | | | | | | | | |
|------------|------------|------------|------------|------------|------------|------------|------------------------------|------------|------------|
| 340 | 344 | 348 | 352 | 356 | 360 | 364 | 368 | 372 | 376 |
| \$ 1684.00 | 1695.00 | 1706.00 | 1717.00 | 1728.00 | 1739.00 | 1750.00 | 1761.00 | 1772.00 | 1783.00 |
| 380 | 384 | 388 | 392 | 396 | 400 | 404 | 408 | 412 | 416 |
| 1794.00 | 1805.00 | 1816.00 | 1827.00 | 1838.00 | 1849.00 | 1860.00 | 1871.00 | 1882.00 | 1893.00 |
| 420 | 424 | 428 | 432 | 436 | 440 | 444 | 448 | 452 | 456 |
| 1904.00 | 1915.00 | 1926.00 | 1937.00 | 1948.00 | 1959.00 | 1970.00 | 1981.00 | 1992.00 | 2003.00 |
| 460 | 464 | 468 | 472 | 476 | 480 | 484 | Frames Over 484" O.D. | | |
| 2014.00 | 2025.00 | 2036.00 | 2047.00 | 2058.00 | 2069.00 | 2080.00 | \$ 4.30 per O.D. Inch | | |

1 to 5 List Price 6 to 9 Less 5% 10 or more Less 10%

Diamond Chase / Eino
 (800) 245-5283
 (626) 969-1599 fax

418 South Motor Ave.
 Azusa, CA 91702

Prices Subject to Change Without Notice

ROLLER CHASE

CUSTOM FRAME PRICE LIST

SEPTEMBER, 2021



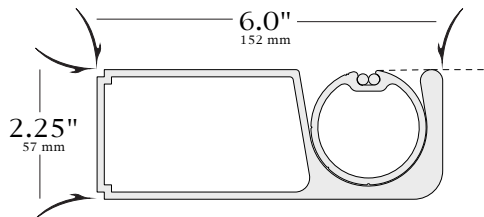
RCLF 2.0 A

Max Size: 192"

Diameter: 2.0"

Weight per Ft: 3.6 Lbs

ID to OD Conv: 12"



Total Frame O.D. Inches

| | | | | | | | | | |
|------------|------------|------------|------------|------------|------------|------------|------------------------------|------------|------------|
| 430 | 436 | 442 | 448 | 454 | 460 | 466 | 472 | 478 | 484 |
| \$ 2314.70 | 2331.20 | 2347.70 | 2364.20 | 2380.70 | 2397.20 | 2413.70 | 2430.20 | 2446.70 | 2463.20 |
| 490 | 496 | 502 | 508 | 514 | 520 | 526 | 532 | 538 | 544 |
| 2479.70 | 2496.20 | 2512.70 | 2529.20 | 2545.70 | 2562.20 | 2578.70 | 2595.20 | 2611.70 | 2628.20 |
| 550 | 556 | 562 | 568 | 574 | 580 | 586 | 592 | 598 | 604 |
| 2644.70 | 2661.20 | 2677.70 | 2694.20 | 2710.70 | 2727.20 | 2743.70 | 2760.20 | 2776.70 | 2793.20 |
| 610 | 616 | 622 | 628 | 634 | 640 | 646 | Frames Over 646" O.D. | | |
| 2809.70 | 2826.20 | 2842.70 | 2859.20 | 2875.70 | 2892.20 | 2908.70 | \$ 4.50 per O.D. Inch | | |

1 to 5 List Price 6 to 9 Less 5% 10 or more Less 10%

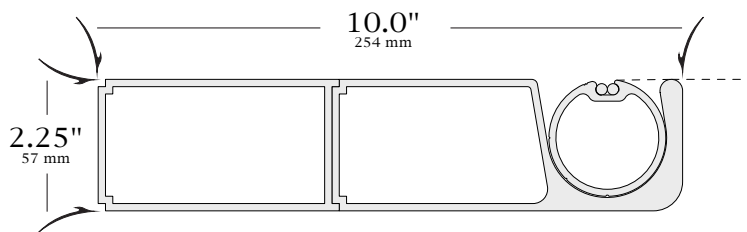
RCLF 2.0 B

Max Size: 240"

Diameter: 2.0"

Weight per Ft: 4.9 Lbs

ID to OD Conv: 20"



Total Frame O.D. Inches

| | | | | | | | | | |
|------------|------------|------------|------------|------------|------------|------------|------------------------------|------------|------------|
| 526 | 532 | 538 | 544 | 550 | 556 | 562 | 568 | 574 | 580 |
| \$3093.00 | 3114.25 | 3135.50 | 3156.75 | 3178.00 | 3199.25 | 3220.50 | 3241.75 | 3263.00 | 3284.25 |
| 586 | 592 | 598 | 604 | 610 | 616 | 622 | 628 | 634 | 640 |
| 3305.50 | 3326.75 | 3348.00 | 3369.25 | 3390.50 | 3411.75 | 3433.00 | 3454.25 | 3475.50 | 3496.75 |
| 646 | 652 | 658 | 664 | 670 | 676 | 682 | 688 | 694 | 700 |
| 3518.00 | 3539.25 | 3560.50 | 3581.75 | 3603.00 | 3624.25 | 3645.50 | 3666.75 | 3688.00 | 3709.25 |
| 706 | 712 | 718 | 724 | 730 | 730 | 742 | Frames Over 742" O.D. | | |
| 3730.50 | 3751.75 | 3773.00 | 3794.25 | 3815.50 | 3836.75 | 3858.00 | \$ 5.20 per O.D. Inch | | |

1 to 5 List Price 6 to 9 Less 5% 10 or more Less 10%



Diamond Chase / Eino
 (800) 245-5283
 (626) 969-1599 fax

418 South Motor Ave.
 Azusa, CA 91702

Prices Subject to Change Without Notice



**D I A M O N D
C H A S E**



Eino Products / Diamond Chase
418 South Motor Avenue, Azusa, CA 91702
ph (626) 969-1821 fax (626) 969-1599