



DIAMOND
CHASE



RCX

Roller Chase Frame Price List

January 2023

Eino Products / Diamond Chase
418 South Motor Avenue, Azusa, CA 91702
ph (626) 969-1821 fax (626) 969-1599



DIAMOND
CHASE



The All **NEW** Roller Chase Construction

Diamond Chase / Eino Products team has re-designed the Roller Chase Screen Printing frame as the RcX for 2006. This high quality roller frame features an all metal construction with stronger components compared to past roller frames. Our Top Loading double rod locking system captures the fabric quickly and consistently with the use of a wheel type insertion tool. Other features include molded internal threads sealed within the polished endlug preventing the possibility of water retention within the roller caused by the hardware. **NO O-Ring Required.** The corners strength and appearance have been improved with a high quality aluminum die cast and a secondary polishing process. Improved strength and appearance again make the Roller Chase frame the best frame in the industry.

Configurations

The RcX comes in three different models based on the roller diameter for the various frame sizes and tensioning requirements. Two models are available with one side a square tube.

The RcX 1.4 is approximately 1 7/16" in diameter and is primarily used for manual textile and small format printing. Available with a Square Tube for back clamp presses.

The RcX 1.6 is 1 5/8" in diameter and is used for automatic textile printing at high tension levels and general printing applications. Available with a Square Tube for back clamp presses.

The RcX 2.0 is 2" in diameter and is preferred for oversized textile printing and general printing applications with frames up to 60".

The RCLF large format frames have three models for frames between 5 and 20 feet in length and are still manufactured with the welded end plug and roller support system as before.

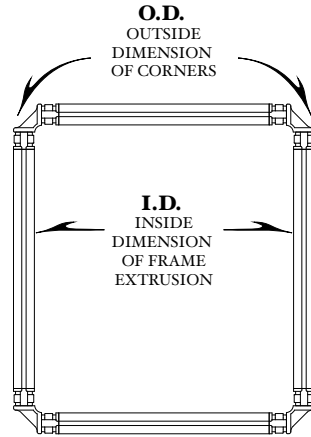
Eino Product / Diamond Chase

800/245-5283

418 South Motor Avenue Azusa, CA 91702 ph. 626/969-1821 fax 626/969-1599

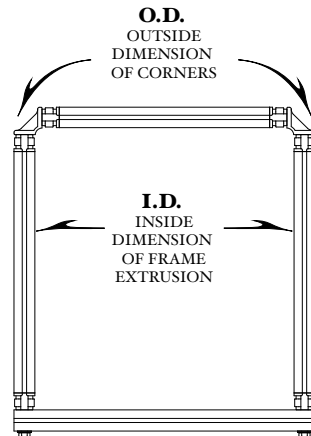


DIAMOND
CHASE



All Roller

RcX frames manufactured with all four rollers tension the fabric more evenly throughout the image area. These frames are held into the press on two opposing rollers with u-shaped adaptor blocks.



Square Tube

RcX frames with one short roller and opposing square tube are designed for single point back clamp presses. The square tube clamps easily into the press while keeping it secure. Tensioning is not as even as a frame with all four rollers.



Eino Products / Diamond Chase

800/245-5283

418 South Motor Avenue Azusa, CA 91702 ph. 626/969-1821 fax 626/969-1599

CUSTOM ROLLER FRAME PRICE LIST

JANUARY, 2023

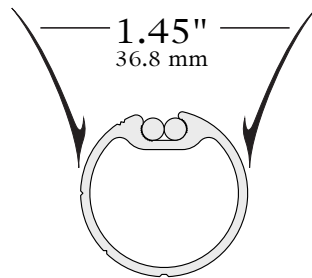
RCX 1.4

Max Size: 31"

Diameter: 1.45"

Weight per Ft: .85 Lbs

ID to OD Conv: 3"



Total Frame O.D. Inches

60	62	64	66	68	70	72	74	76	78
\$ 112.25	113.00	113.75	114.50	115.20	116.00	116.70	117.45	118.20	118.95
80	82	84	86	88	90	92	94	96	98
119.70	120.45	121.20	121.90	122.65	123.40	124.15	124.90	125.65	126.40
100	102	104	106	108	110	112	114	116	118
127.10	127.85	128.60	129.35	130.10	130.85	131.60	132.35	133.10	133.80
120	122	124	126	128	130	132	Frames Over 132" O.D.		
134.55	135.30	136.00	136.80	137.55	138.30	139.00	\$ 1.05 per O.D. Inch		

Add 5% for frames with one square tube

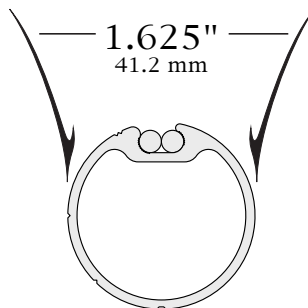
RCX 1.6

Max Size: 42"

Diameter: 1.625"

Weight per Ft: .98 Lbs

ID to OD Conv: 3.25"



Total Frame O.D. Inches

96	98	100	102	104	106	108	110	112	114
\$ 162.40	163.25	164.10	165.00	165.85	166.70	167.55	168.40	169.25	170.10
116	118	120	122	124	126	128	130	132	134
170.95	171.80	172.65	173.50	174.40	175.25	176.10	176.95	177.80	178.65
136	138	140	142	144	146	148	150	152	154
179.50	180.35	181.20	182.00	182.90	183.75	184.65	185.50	186.35	187.20
156	158	160	162	164	166	168	Frames Over 168" O.D.		
188.00	188.90	189.75	190.60	191.50	192.30	193.15	\$ 1.15 per O.D. Inch		

Add 5% for frames with one square tube



Diamond Chase / Eino
(800) 245-5283
(626) 969-1599 fax

418 South Motor Ave.
Azusa, CA 91702

Prices Subject to Change Without Notice



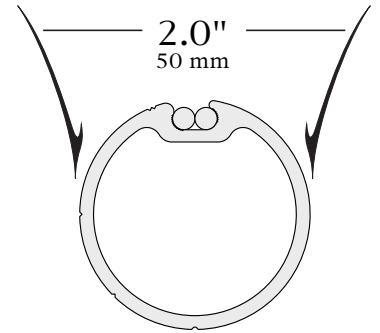
CUSTOM ROLLER FRAME

PRICE LIST

JANUARY, 2023

RCX 2.0

Max Size: 60"
Diameter: 2.0"
Weight per Ft: 1.25 Lbs
ID to OD Conv: 4"



Total Frame O.D. Inches									
140	142	144	146	148	150	152	154	156	158
\$249.70	251.10	252.45	253.85	255.20	256.60	257.95	259.35	260.70	262.10
160	162	164	166	168	170	172	174	176	178
263.45	264.85	266.20	267.60	268.95	270.35	271.70	273.10	274.45	275.85
180	182	184	186	188	190	192	194	196	198
277.20	278.60	279.95	281.35	282.70	384.10	285.45	268.85	288.20	289.60
200	202	204	206	208	210	212	Frames Over 212" O.D.		
290.95	292.35	293.70	295.10	296.45	297.85	299.20	\$ 1.40 per O.D. Inch		

1 to 5 List Price 6-11 Less 5% 12 or More Less 10%



Adaptor Blocks & Bars

Model	1.2"	1.4"	1.6"	1.75"	2.0"
Blocks 3"	\$ 10.00	\$ 10.00	\$ 13.00	\$ 13.00	\$ 14.00
Bars 16"	\$ 20.00	\$ 20.00	\$ 26.00	\$ 26.00	\$ 28.00



Tools

Wheel Insertion Tool \$ 30.00



Locking Rods

Cut to Length:

Round (White - High Mesh)	\$.20 per Inch
Round (Blue - Medium Mesh)	\$.20 per Inch
Round (Black - Low Mesh)	\$.20 per Inch

Full Lengths (approx. 15 feet long) \$27.00 each

Prices Subject to Change Without Notice

Diamond Chase / Eino
(800) 245-5283
(626) 969-1599 fax

418 South Motor Ave.
Azusa, CA 91702

The RCLF Roller Chase



Large Format Roller Frame Construction

The Large Format Roller Chase combines our roller system with an additional sectional support frame. The support structure is a fully welded frame with cast gusseted corners. Within the channel of the support frame are two plastic rods acting as a bearing surface for the roller as it rotates. Additionally, the main support frame fully encloses the tensioning roller preventing fabric damage due to the awkward handling associated with large format printing.

Configurations

The Large Format Roller Chase frames are produced with three different roller diameters with an associated support frame. Additional support can be added to the main support frame to further strengthen the system for large frames and/or high tension levels. Frames manufactured with only the main support structure are known as model A. Frames including an additional out side support are a B model.



Diamond Chase / Eino
(800) 245-5283
(626) 969-1599 fax

418 South Motor Ave.
Azusa, CA 91702

Prices Subject to Change Without Notice

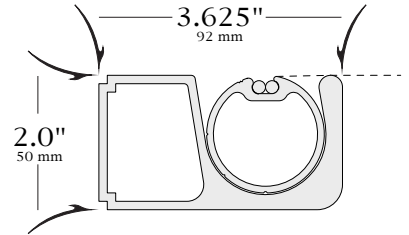
ROLLER CHASE

CUSTOM FRAME PRICE LIST

JANUARY, 2023

RCLF 1.75 A

Max Size: 120"
 Diameter: 1.75"
 Weight per Ft: 2.5 Lbs
 ID to OD Conv: 7.25"

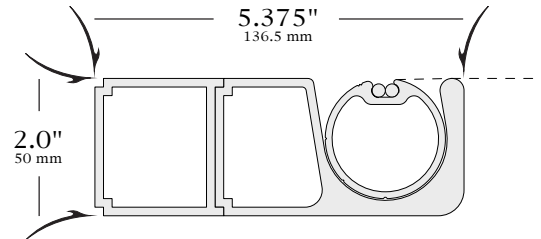


Total Frame O.D. Inches									
220	226	232	238	244	250	256	262	268	274
\$ 958.90	970.50	982.00	993.60	1005.00	1016.70	1028.25	1039.75	1051.35	1064.00
280	286	292	298	304	310	316	322	328	334
1075.50	1087.10	1098.65	1110.20	1121.75	1133.30	1144.85	1156.40	1167.90	1179.50
340	346	352	358	364	370	376	382	388	394
1191.00	1202.60	1214.15	1225.70	1237.25	1248.75	1260.35	1271.90	1283.45	1295.00
400	406	412	418	424	430	436	Frames Over 436" O.D.		
1306.50	1318.10	1329.65	1341.20	1352.75	1364.30	1375.85	\$ 3.15 per O.D. Inch		
1 to 5 List Price			6 to 9 Less 5%			10 or more Less 10%			



RCLF 1.75 B

Max Size: 144"
 Diameter: 1.75"
 Weight per Ft: 3.4 Lbs
 ID to OD Conv: 10.75"



Total Frame O.D. Inches									
340	344	348	352	356	360	364	368	372	376
\$ 1684.00	1695.00	1706.00	1717.00	1728.00	1739.00	1750.00	1761.00	1772.00	1783.00
380	384	388	392	396	400	404	408	412	416
1794.00	1805.00	1816.00	1827.00	1838.00	1849.00	1860.00	1871.00	1882.00	1893.00
420	424	428	432	436	440	444	448	452	456
1904.00	1915.00	1926.00	1937.00	1948.00	1959.00	1970.00	1981.00	1992.00	2003.00
460	464	468	472	476	480	484	Frames Over 484" O.D.		
2014.00	2025.00	2036.00	2047.00	2058.00	2069.00	2080.00	\$ 4.30 per O.D. Inch		
1 to 5 List Price			6 to 9 Less 5%			10 or more Less 10%			

Diamond Chase / Eino
 (800) 245-5283
 (626) 969-1599 fax

418 South Motor Ave.
 Azusa, CA 91702

ROLLER CHASE

CUSTOM FRAME PRICE LIST

JANUARY, 2023



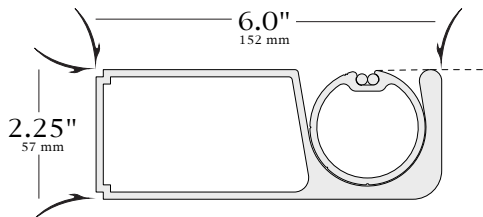
RCLF 2.0 A

Max Size: 192"

Diameter: 2.0"

Weight per Ft: 3.6 Lbs

ID to OD Conv: 12"



Total Frame O.D. Inches

430	436	442	448	454	460	466	472	478	484
\$ 2314.70	2331.20	2347.70	2364.20	2380.70	2397.20	2413.70	2430.20	2446.70	2463.20
490	496	502	508	514	520	526	532	538	544
2479.70	2496.20	2512.70	2529.20	2545.70	2562.20	2578.70	2595.20	2611.70	2628.20
550	556	562	568	574	580	586	592	598	604
2644.70	2661.20	2677.70	2694.20	2710.70	2727.20	2743.70	2760.20	2776.70	2793.20
610	616	622	628	634	640	646	Frames Over 646" O.D.		
2809.70	2826.20	2842.70	2859.20	2875.70	2892.20	2908.70	\$ 4.50 per O.D. Inch		

1 to 5 List Price 6 to 9 Less 5% 10 or more Less 10%



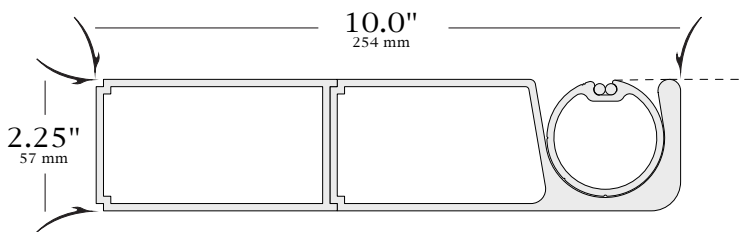
RCLF 2.0 B

Max Size: 240"

Diameter: 2.0"

Weight per Ft: 4.9 Lbs

ID to OD Conv: 20"



Total Frame O.D. Inches

526	532	538	544	550	556	562	568	574	580
\$3093.00	3114.25	3135.50	3156.75	3178.00	3199.25	3220.50	3241.75	3263.00	3284.25
586	592	598	604	610	616	622	628	634	640
3305.50	3326.75	3348.00	3369.25	3390.50	3411.75	3433.00	3454.25	3475.50	3496.75
646	652	658	664	670	676	682	688	694	700
3518.00	3539.25	3560.50	3581.75	3603.00	3624.25	3645.50	3666.75	3688.00	3709.25
706	712	718	724	730	730	742	Frames Over 742" O.D.		
3730.50	3751.75	3773.00	3794.25	3815.50	3836.75	3858.00	\$ 5.20 per O.D. Inch		

1 to 5 List Price 6 to 9 Less 5% 10 or more Less 10%



Diamond Chase / Eino
 (800) 245-5283
 (626) 969-1599 fax

418 South Motor Ave.
 Azusa, CA 91702

Prices Subject to Change Without Notice



DIAMOND
CHASE



Eino Products / Diamond Chase
418 South Motor Avenue, Azusa, CA 91702
ph (626) 969-1821 fax (626) 969-1599